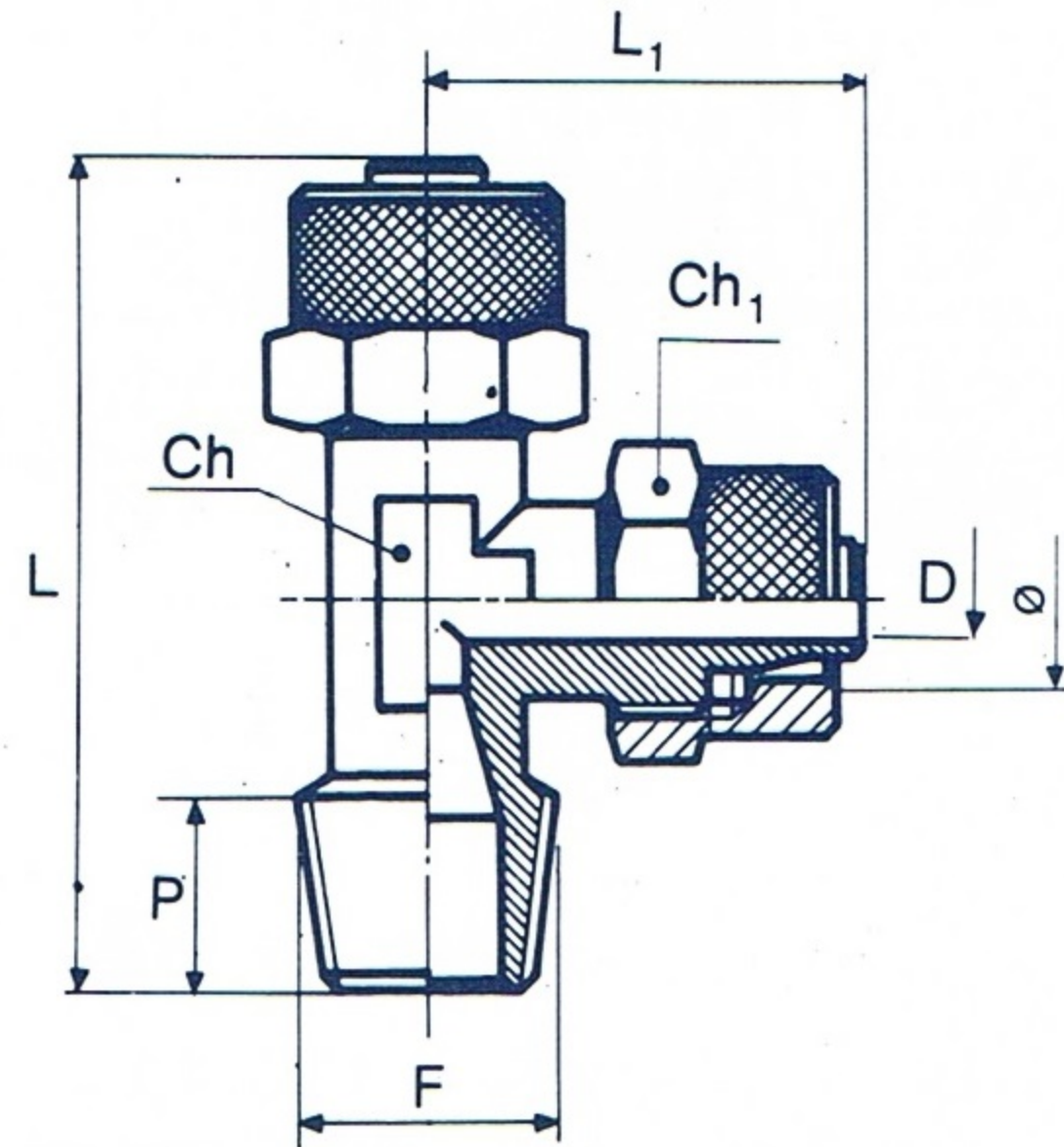
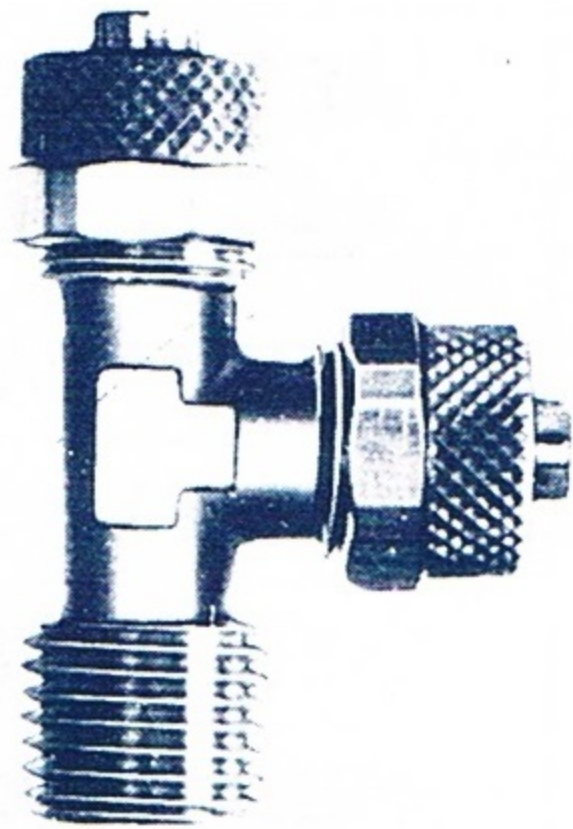




## RACCORDO OTTONE A «T» LATERALE A CALZAMENTO



Ø	F	Ch	Ch1	P	L	L1	D	CODICE
6/4"	1/8"	9	12	8,0	39,0	22,0	3,0	<b>RTLC 06 x 1/8</b>
6/4"	1/4"	9	12	11,0	42,0	22,0	3,0	<b>RTLC 06 x 1/4</b>
8/6"	1/8"	12	14	8,0	39,0	22,0	5,0	<b>RTLC 08 x 1/8</b>
8/6"	1/4"	12	14	11	42,0	22,0	5,0	<b>RTLC 08 x 1/4</b>
8/6"	3/8"	12	14	11,5	44,5	22,5	5,0	<b>RTLC 08 x 3/8</b>
10/8"	1/4"	12	16	11,0	46,5	24,5	6,8	<b>RTLC 10 x 1/4</b>
10/8"	3/8"	12	16	11,5	46,5	24,5	6,8	<b>RTLC 10 x 3/8</b>
10/8"	1/2"	17	16	14,0	53,5	27,5	6,8	<b>RTLC 10 x 1/2</b>
12/10"	3/8"	17	19	11,5	55,0	31,0	8,5	<b>RLTC 12 x 3/8</b>
12/10"	1/2"	17	19	14,0	57,0	31,0	8,5	<b>RLTC 12 x 1/2</b>