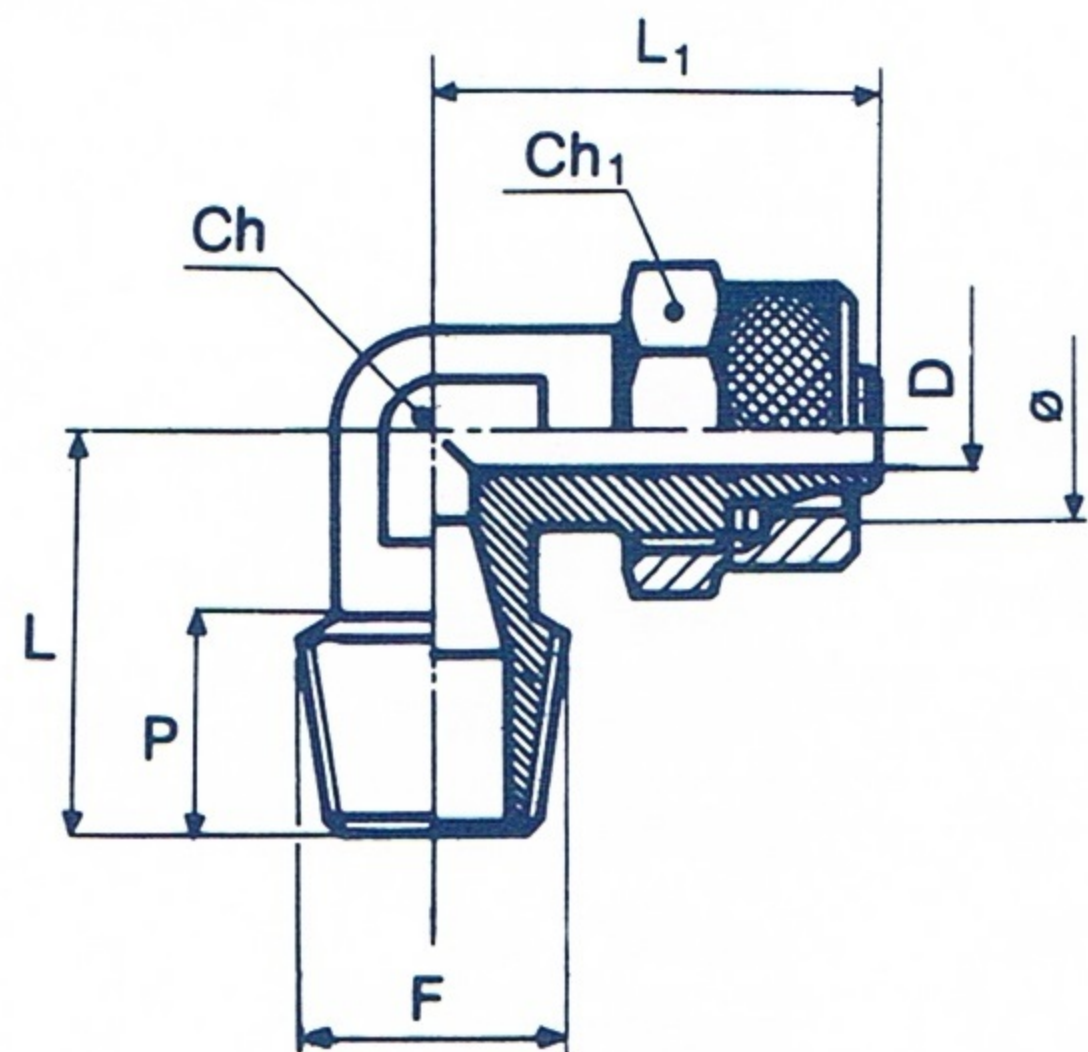




RACCORDO OTTONE A «L» A CALZAMENTO -MASCCHIO-



Ø	F	Ch	Ch1	P	L	L1	D	CODICE
6/4"	1/8"	9	12	8,0	17,0	22,0	3,0	RLCM 06 x 1/8
6/4"	1/4"	9	12	11,0	20,0	22,0	3,0	RLCM 06 x 1/4
8/6"	1/8"	12	14	8,0	17,0	22,0	5,0	RLCM 08 x 1/8
8/6"	1/4"	12	14	11,0	20,0	22,0	5,0	RLCM 08 x 1/4
8/6"	3/8"	12	14	11,5	22,0	22,5	5,0	RLCM 08 x 3/8
10/8"	1/4"	12	16	11,0	22,0	24,5	6,8	RLCM 10 x 1/4
10/8"	3/8"	12	16	11,5	22,0	24,5	6,8	RLCM 10 x 3/8
10/8"	1/2"	17	16	14,0	26,0	27,5	6,8	RLCM 10 x 1/2
12/10"	3/8"	17	19	11,5	24,5	31,0	8,5	RLCM 12 x 3/8
12/10"	1/2"	17	19	14,0	26,0	31,0	8,5	RLCM 12 x 1/2