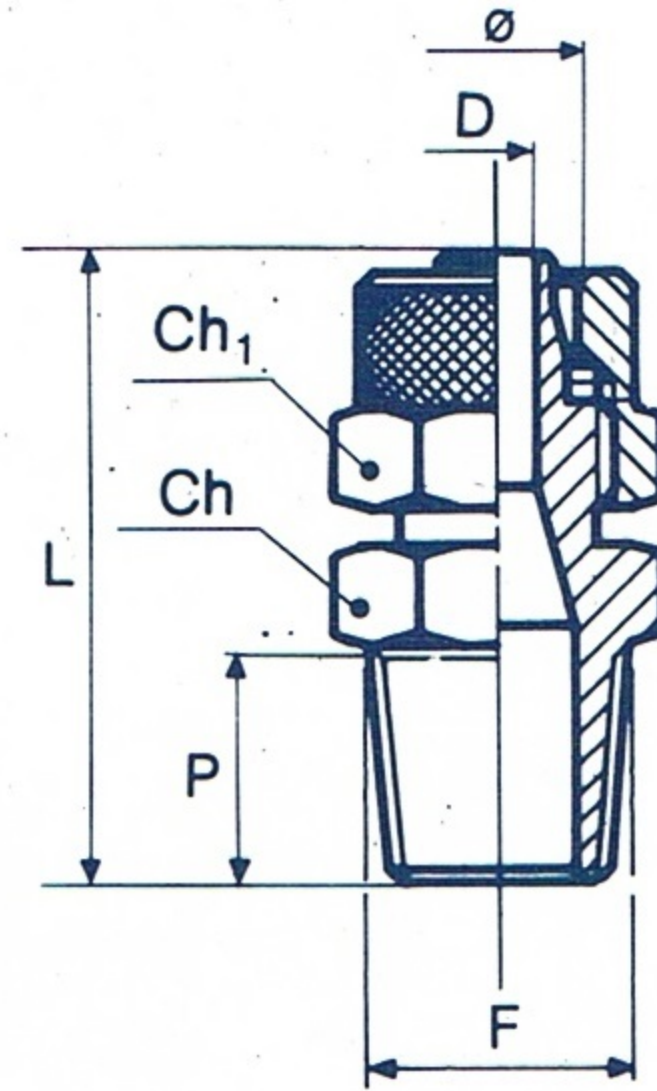


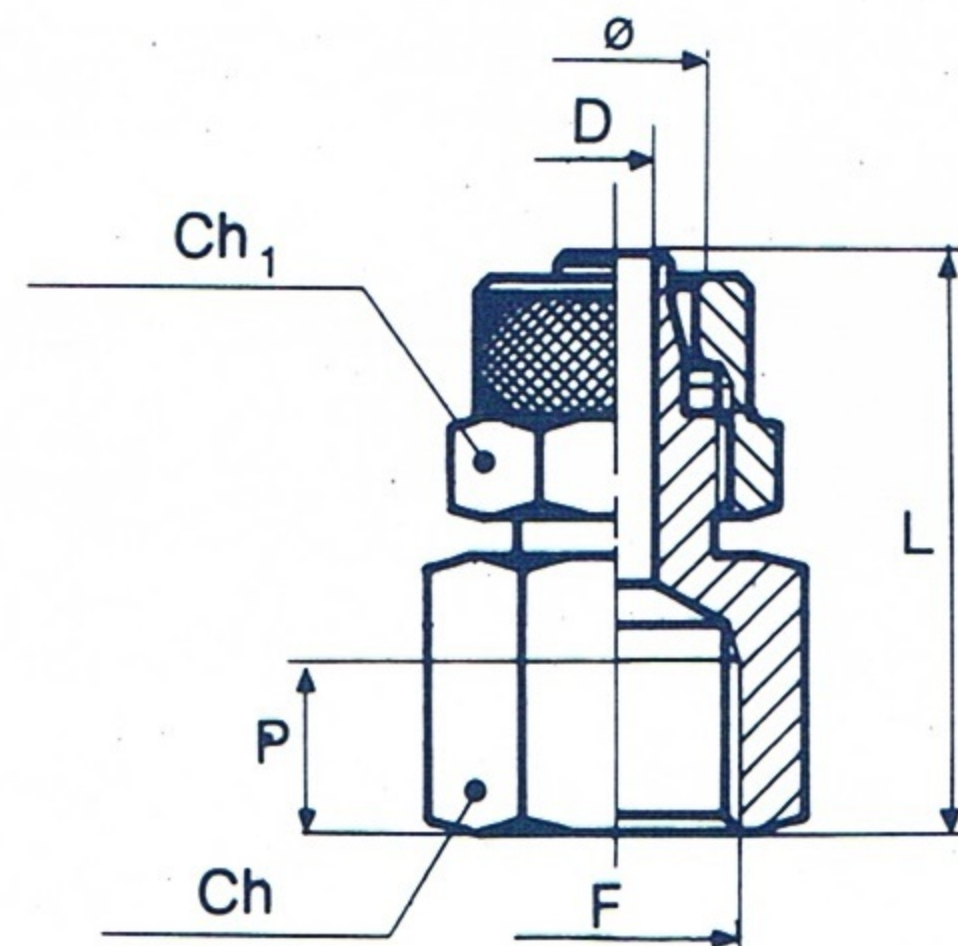
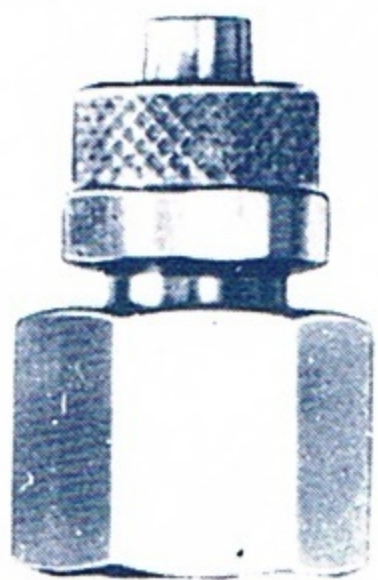


RACCORDO OTTONE DIRITTO A CALZAMENTO -MASCIO-



Ø	F	Ch	Ch1	P	L	D	CODICE
6/4"	1/8"	12	12	8,0	26,5	3,0	RDCM 06 x 1/8
6/4"	1/4"	14	12	11,0	30,0	3,0	RDCM 06 x 1/4
8/6"	1/8"	12	14	8,0	26,0	5,0	RDCM 08 x 1/8
8/6"	1/4"	14	14	11,0	30,0	5,0	RDCM 08 x 1/4
8/6"	3/8"	17	14	11,5	31,0	5,0	RDCM 08 x 3/8
10/8"	1/4"	14	16	11,0	32,0	6,8	RDCM 10 x 1/4
10/8"	3/8"	17	16	11,5	33,0	6,8	RDCM 10 x 3/8
10/8"	1/2"	22	16	14,0	36,0	6,8	RDCM 10 x 1/2
12/10"	3/8"	17	19	11,5	35,0	8,5	RDCM 12 x 3/8
12/10"	1/2"	22	19	14,0	38,0	8,5	RDCM 12 x 1/2

RACCORDO OTTONE DIRITTO A CALZAMENTO -FEMMINA-



Ø	F	Ch	Ch1	P	L	D	CODICE
6/4"	1/8"	14	12	7,0	26,0	3,0	RDCF 06 x 1/8
6/4"	1/4"	17	12	8,0	28,0	3,0	RDCF 06 x 1/4
8/6"	1/8"	14	14	7,0	26,0	5,0	RDCF 08 x 1/8
8/6"	1/4"	17	14	8,0	28,0	5,0	RDCF 08 x 1/4
8/6"	3/8"	20	14	10,3	32,0	5,0	RDCF 08 x 3/8
10/8"	1/4"	17	16	8,0	30,0	6,8	RDCF 10 x 1/4
10/8"	3/8"	20	16	10,3	34,0	6,8	RDCF 10 x 3/8
10/8"	1/2"	24	16	11,4	37,5	6,8	RDCF 10 x 1/2